

T 200



FEATURES

- Can produce up to 1 grade of sand
- Designed to operate with maximum versatility and can support different requirements such as maximum retention of fines or maximum disposal of fines
- Can be driven hydraulically from the Mobile M Range or from its own optional electric power pack

FEATURES & BENEFITS

- Hydraulic drive from Mobile M Range
- 4.57m (15') diameter bucket wheel (tandem buckets)
- 2.05m (6'9") diameter fines recovery spiral 4.3m (14'3") long
- Independent variable speed control on both bucket wheel and spiral
- 54nr 635mm (25") wide corrosion resistant bucket meshes (10 x 5mm slotted)
- Drainage butterfly valve
- Discharge chute
- Guards designed to comply with Machinery Directive
- Emergency stops (4nr)
- Tank capacity 20,430 litres (4,500 UK gallons) (5,400 US gallons)
- 300mm high support legs
- 11.0 tonnes unladen weight
- Long fines recovery spiral with optional 1.5m extended spiral tank

APPLICATIONS

- All forms of concrete, mortar and asphalt sands
- Quarry dust / crushed fines
- Lake and beach sands
- Slag
- Golf course sands
- Filter bed sands
- Fly ash
- Iron ore

SPECIFICATIONS

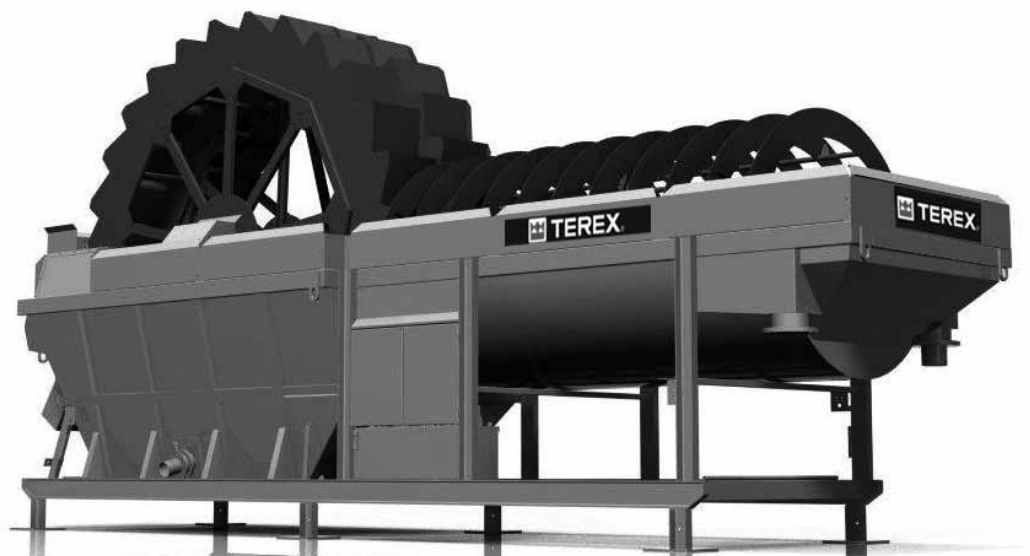
T 200

WHEEL DIAMETER	4.57m (15' 0")
SPIRAL DIAMETER	2.05m (6' 9")
SPIRAL LENGTH	4.26m (14')
WEIR LENGTH	16m (53')
BUCKET WIDTH	635mm (25")
NO. BUCKETS	54 off
WATER TANK CAPACITY	20,430L(4,500 gal)
WATER FLOW RATE	2270-5000L/m (500-1100Gpm)
WORKING LENGTH	8.46m (27' 8")
WORKING HEIGHT	4.6m (15' 1")
WORKING WIDTH	2.7m (8' 11")
OUTPUT CAPACITY	150tph - 200tph
TOTAL WEIGHT WORKING	19,000kg (41,800lbs)

FINE SAND (0 - 3mm)	Approx. 80 - 140 tph
COURSE SAND (0 - 6mm)	Approx. 150 - 200 tph
MAX SILT	10% - 12%

OPTIONS

- Electric hydraulic drive 7.5kW
- Steel lined discharge chute
- 1.5m main body and spiral extension
- Dewatering screen complete with structure



BUCKET WHEELS

Bucket Wheel Diameter: 4572mm - 15'0"

Number of Buckets: 54

Bucket Width: 635mm - 2'1"

Operating Bucket Speed: 0.25 - 1.0rpm

Tandem bucket wheel with corrosion resistant bucket mesh

Variable seed control



HYDRAULICS

Max. Hydraulic Pressure:

Bucket 155 Bar (2250 PSI)

Spiral 124 Bar (1800 PSI)

Max Hydraulic Flow:

Bucket 23 litres/min (5 UK gal/min) (6 US gal/min)

Spiral 23 litres/min (5 UK gal/min) (6 US gal/min)

Hydraulic Oil Capacity: 180 litres

40 UK gallons (48 US gallons)

SPIRAL

Spiral diameter: 2054mm (6' 9")

Spiral length: 4332mm (14' 3")

Operating spiral speed: 0.5 - 3.5rpm

CAPACITIES

Holding capacity: 20,430 litres

4,500 UK gallons

5,400 US gallons

Output Capacity: 100 - 200tph depending on application

POWERUNIT

7.5kW electric hydraulic unit

Pump: Tandem 1PL052 / 1PL052 CTD

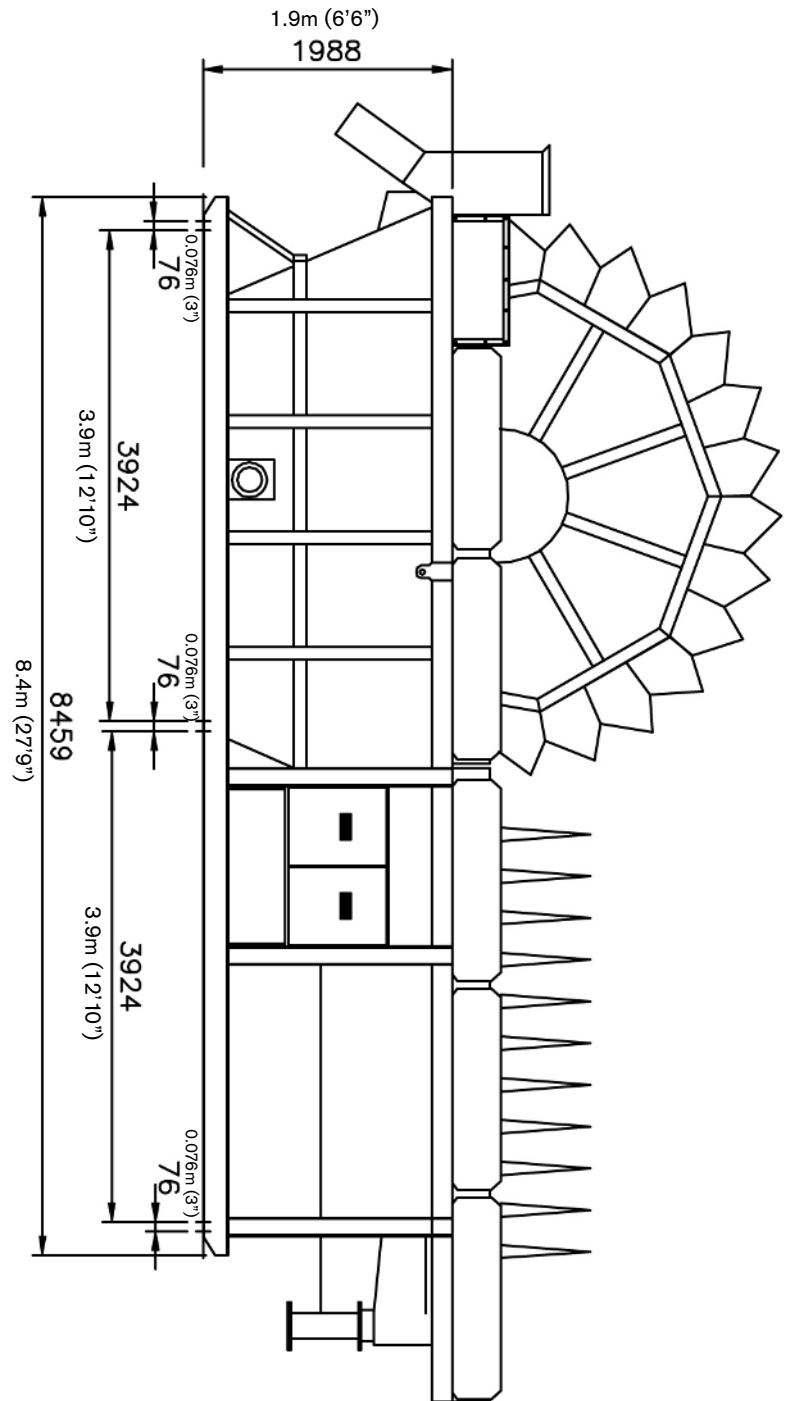
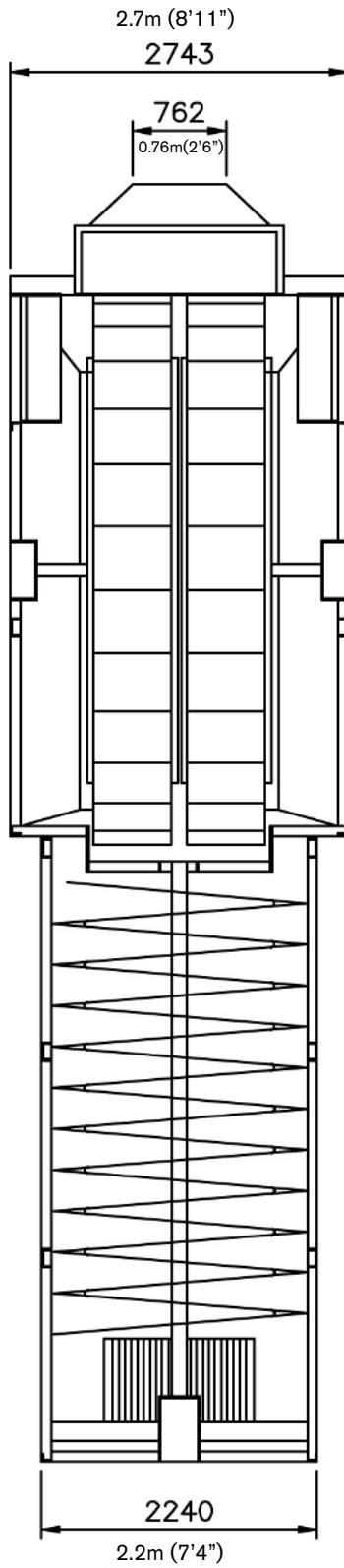
Electric / hydraulic drive

Optional drive from rinser

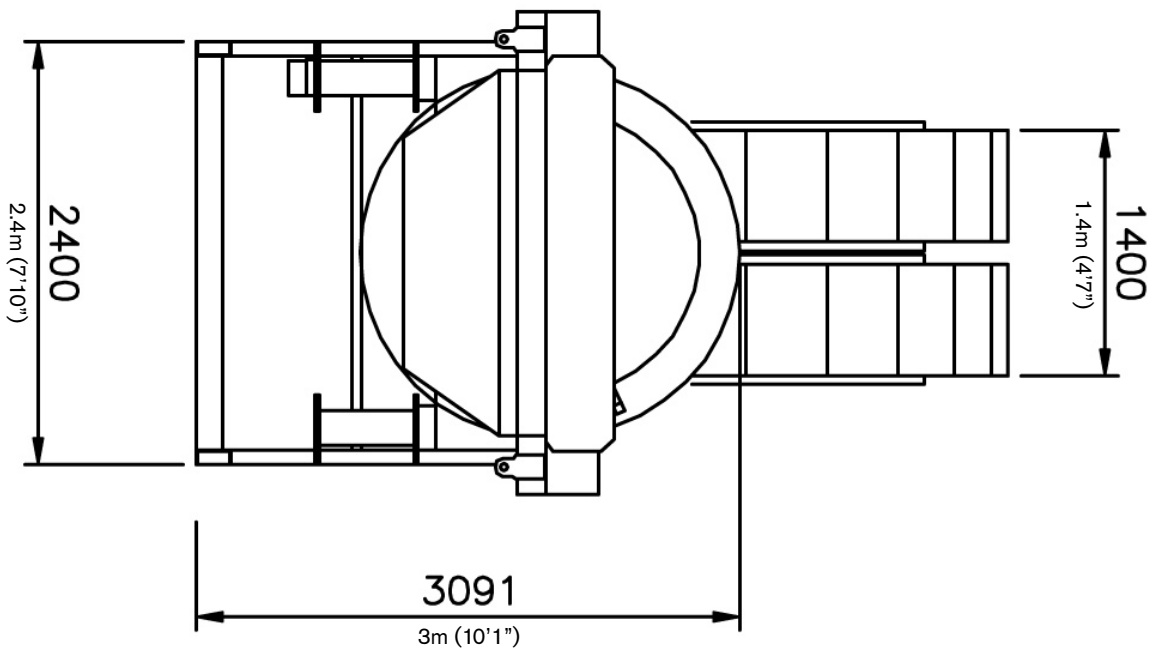
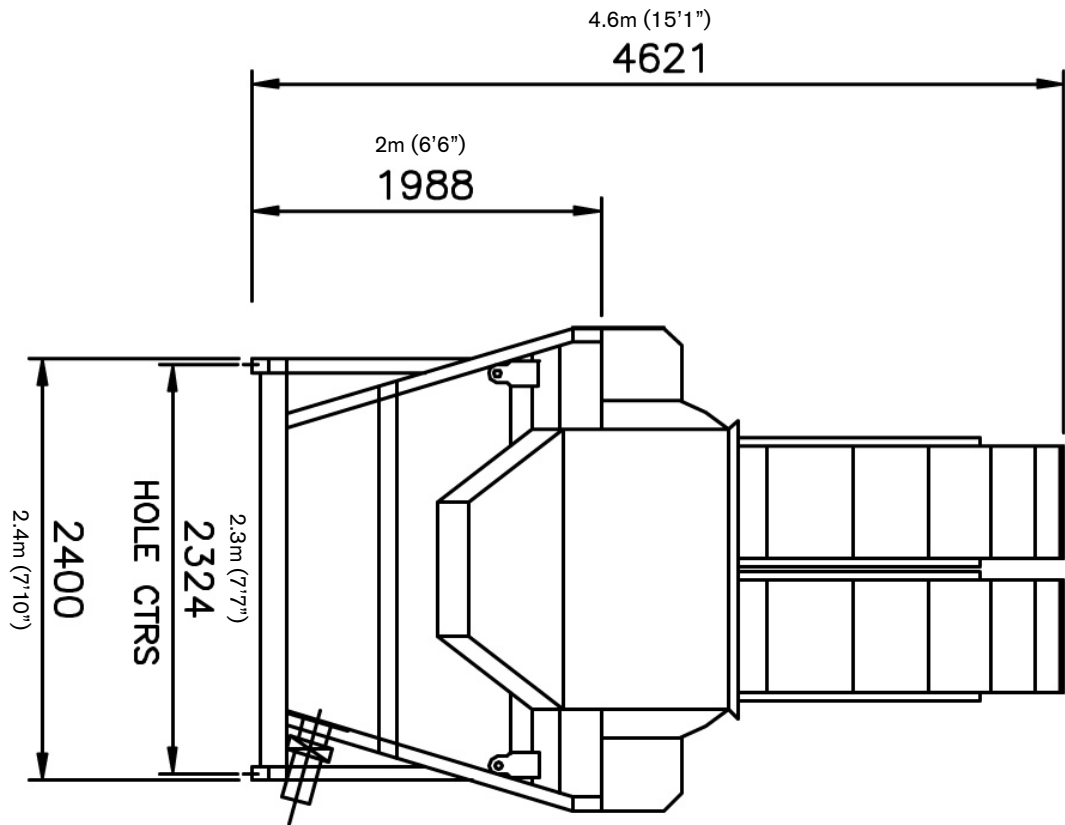


DIMENSIONS

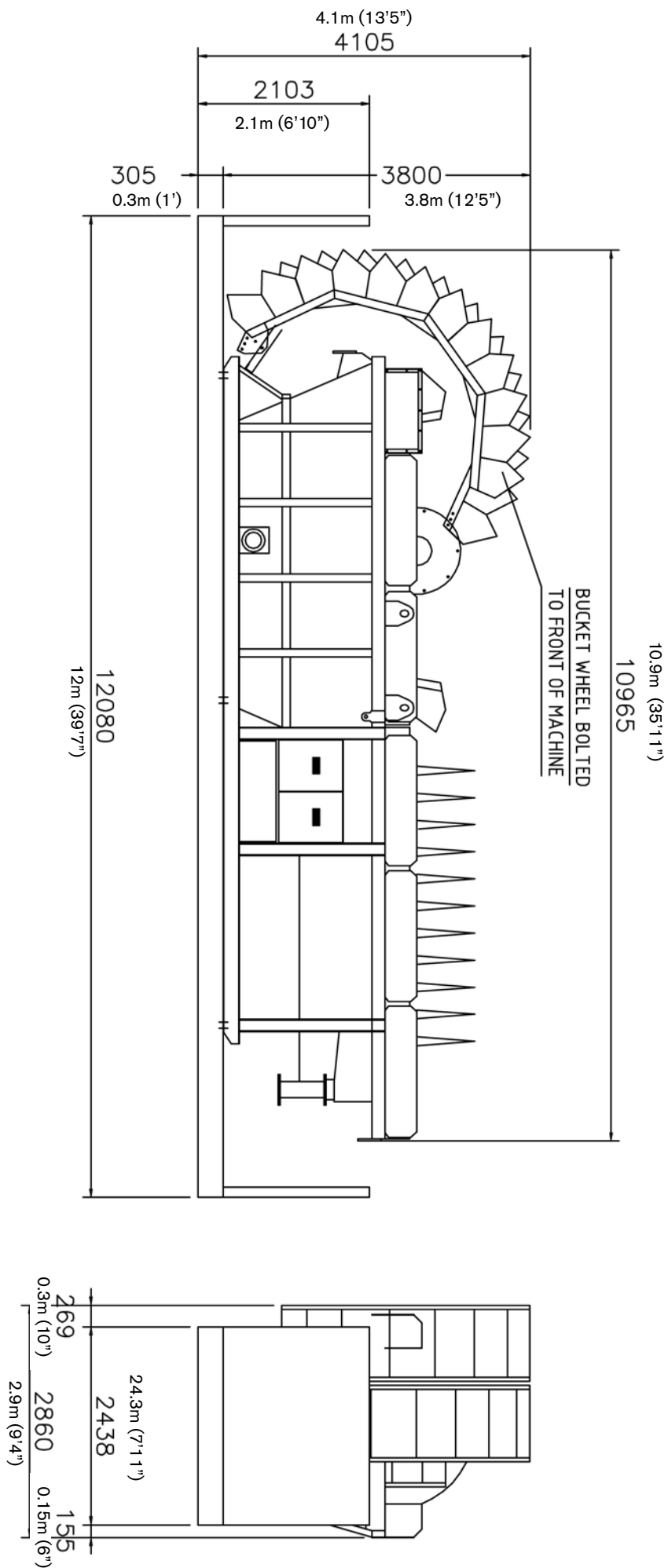
T 200 - WORKING DIMENSIONS



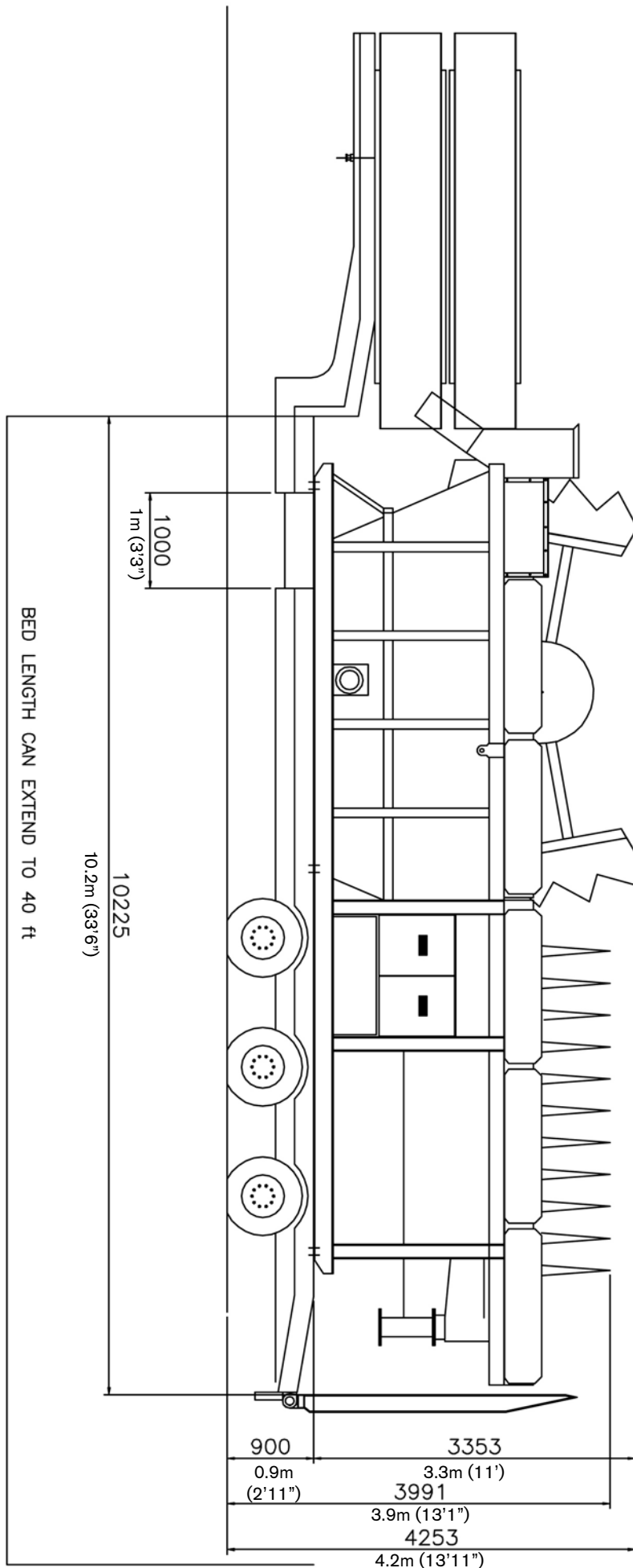
T 200 - WORKING DIMENSIONS



T200 TRANSPORT DIMENSIONS - FLATRACK



T200 TRANSPORT DIMENSIONS - LOW LOADER



TEREX WASHING SYSTEMS CONTACT DETAILS

Dungannon Site

200 Coalisland Road
Dungannon
Co. Tyrone
Northern Ireland
BT71 4DR

Tel: +44(0) 28 8771 8500

Email: TWS.sales@terex.com

www.terex.com/washing

You  Tube

Check out Terex Washing Systems videos
on YouTube: www.youtube.com/terexwashingsystems



www.facebook.com/TerexCorporation



Effective Date: July 2012 Product specifications and prices are subject to change without notice or obligation. The photographs and/or drawings in this document are for illustrative purposes only. Refer to the appropriate Operator's Manual for instructions on the proper use of this equipment. Failure to follow the appropriate Operator's Manual when using our equipment or to otherwise act irresponsibly may result in serious injury or death. The only warranty applicable to our equipment is the standard written warranty applicable to the particular product and sale and Terex makes no other warranty, express or implied. Products and services listed may be trademarks, service marks, or trade names of Terex Corporation and/or its subsidiaries in the USA and other countries. All rights are reserved. Terex is a registered trademark of Terex Corporation in the USA and many other countries. © 2010 Terex Corporation.



TEREX®

WORKS FOR YOU.™