

# M 084



## FEATURES

- Excellent entry level mobile washing unit that is highly robust yet compact and easily manoeuvrable
- Includes a feet hopper complete with reject grid, feed conveyor, washing screen and fully enclosed power unit
- The straightforward proven design ensures low maintenance, low running costs and trouble free operation

## FEATURES AND BENEFITS

- 2 deck 8'x 4' (2.4m x 1.2m) side tensioned screen
- Feed hopper with reject grid
- Feed conveyor
- Washing screen
- Fully enclosed power unit
- 5 spray bars per deck
- Variable speed control belt feeder
- 100mm (4") water feed pipe
- Hydraulic coupling circuit
- Maximum mobility with fifth wheel, jacking legs, road wheels, brakes
- Manual tipping grid complete with bofar steel bars
- Wash box with 5 nozzle spray bar and wear plate
- Feed conveyor belt scraper
- Transported in 1 40" (12m) container

## APPLICATIONS

- Sand and gravel
- Coal
- Crushed materials
- Slag
- Recycled materials
- All forms of concrete, mortar and asphalt sand
- Iron Ore
- Lake and beach sand
- Silica glass

## SPECIFICATIONS

MODEL OPTION	2 & 3 DECK
WORKING LENGTH	19.9m (63'2")
WORKING WIDTH	2.3m (7'10")
WORKING HEIGHT	5.5m (18'4")
GRID AREA	1.6m x 3.0m (5' 3" x 10')
APPROX. WEIGHT	8,900kg (9,81lbs)
HOPPER CAPACITY	5.3m (6.95")
HYDRAULIC SYSTEM CAPACITY	182 litres (40 gals)
DIESEL TANK CAPACITY	73 litres (16 gals)
ENGINE SIZE	37kW (50hp)

## OPTIONS

- Remote control tipping grid
- Adjustable hopper door
- 3 deck rinser
- Hopper extension 300mm (12") / 500mm (20")
- Anti roll back
- Steel skirting plates
- Electric hydraulic
- Hydraulic oil cooler
- Hydraulic screen angle adjustment
- Screen walkway and access ladder
- 3rd deck (side tensioned screenbox)
- 25mm Aluback rubber lining in washbox
- Sealed pipes with bonded rubber lining
- Rubber lined discharge lips
- Polyurethane modular decks
- Catchbox
- FAD type braking axle/GLD type braking axle with handbrake



## HOPPER & GRID

ADJUSTABLE ANGLE TIPPING GRID WITH INTEGRAL LOADING, WING PLATES AND SELF CLEANING GRID BARS.

GRID OPENING 1.6m x 3.0m (5' 3" x 10')

GRID APERTURE 102mm (4")

THE HOPPER MAY BE FITTED WITH A MANUALLY TIPPED REJECT GRID WHICH IS NORMALLY SET AT 100MM (4") APERTURE.



## FEED CONVEYOR

CONVEYOR BELT 2 ply x 650mm (25.5") wide

DRUMS OUTSIDE DIAMETER 273mm (10.75")

DRUM CENTRES 2.8m (9.3")

MAX FEEDER CONVEYOR BELT SPEED 20m/min (65' 6") empty

DRUM SPEED VARIATION 0-24rpm



## MAIN CONVEYOR

650MM (26") WIDE CONVEYOR WITH 30° ROLLER TO PREVENT SPILLAGE

CONVEYOR BELT 2 ply x 650mm (25.5") wide

DRUMS OUTSIDE DIAMETER 273mm (10.75")

DRUM CENTRES 12m (40')

DRUM SPEED Empty - 125rpm  
Full - 115rpm

CONVEYOR BELT SPEED Empty - 107m/min (351ft/min)  
Full - 100m/min (328 ft/min)



## STANDARD POWERUNIT & HYDRAULICS

STANDARD DIESEL ENGINE Developing 41kW (55hp) at 2200rpm

HYDRAULIC TANK 182 litres (40 gals)

DIESEL TANK 73 litres (16 gals)



## ROAD TRANSPORT

Wheels 7.50 x 16 x 16 ply

---

Lateral protection - optional extra

---

Lights - optional extra

---

Hydraulic jacking legs to decrease set-up time

---

5th wheel kingpin

---



## 8X4 RINSER SCREENUNIT

8' x 4' (2.4 x 1.2m) double deck, 4 bearing, free floating screen box

---

8' x 4' (2.4 x 1.2m) triple deck, 4 bearing, free floating screen box (Optional)

---

Side tension mesh

---

5 top deck & 5 bottom deck spray bars

---

Wash box complete with spray bar

---

100mm (4") water feed pipe

---

Part rinser

---

Working angle 18° and 24°

---



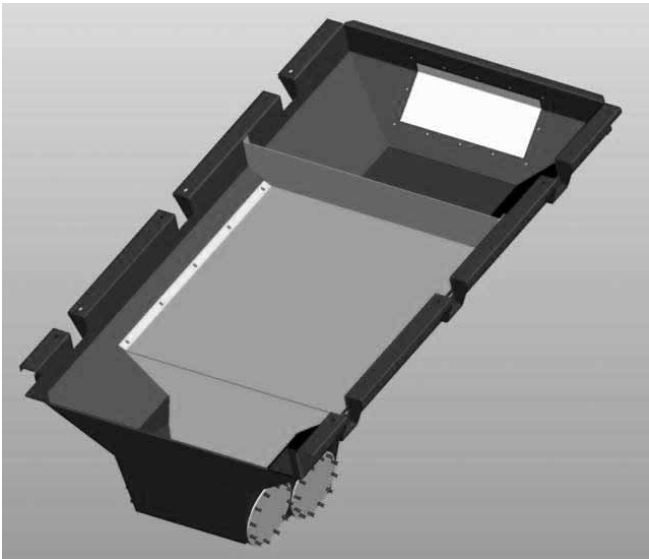
## CATCH BOX

One grade or two grades of sand can be produced.

Fixed division plate

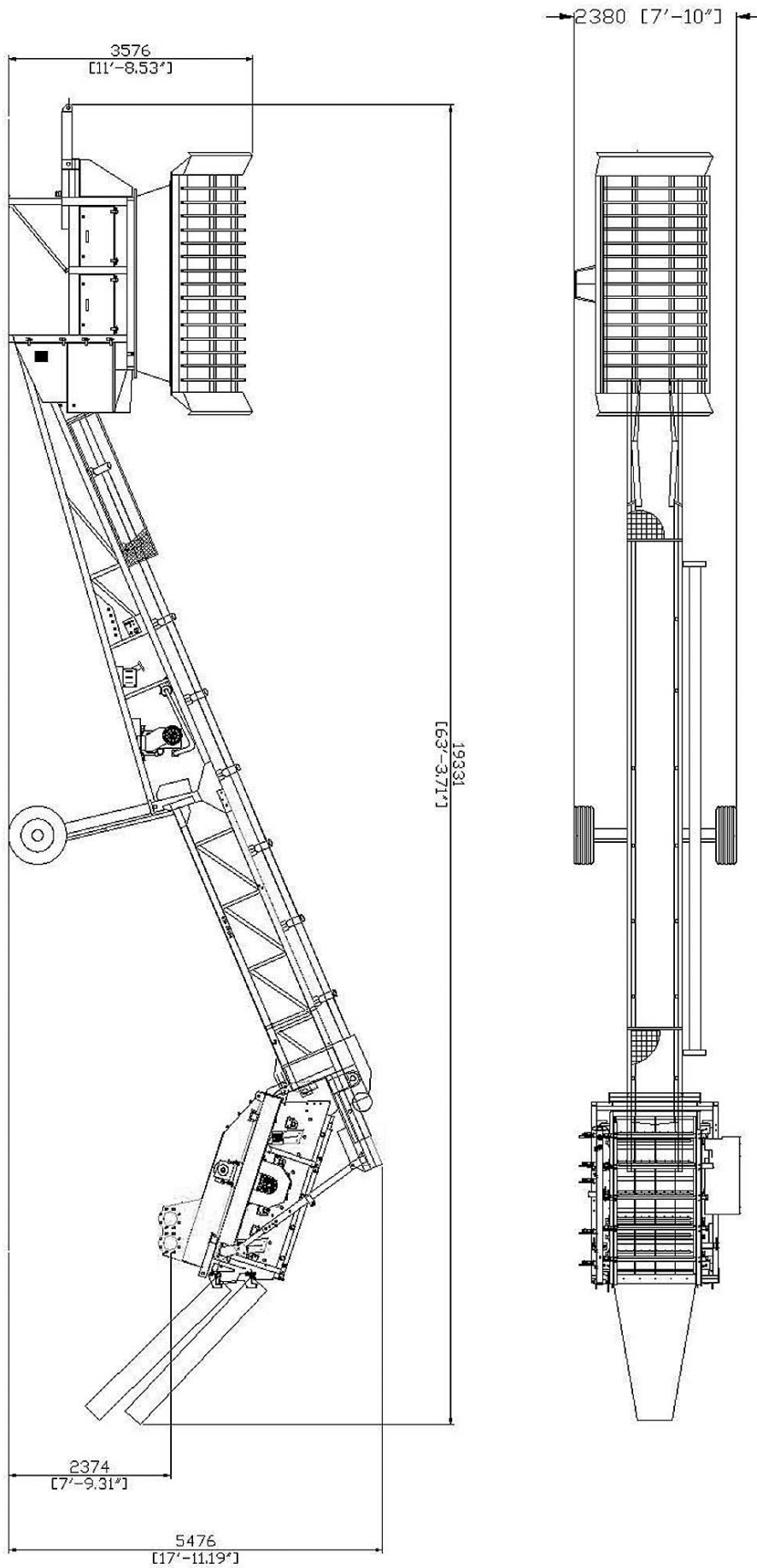
2 x 200mm (8") outlets

Single or double grade catch box with option rubber lining

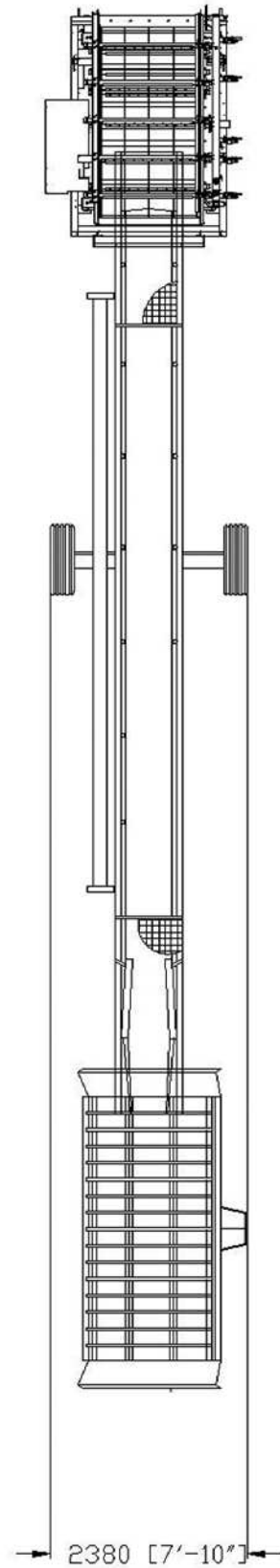
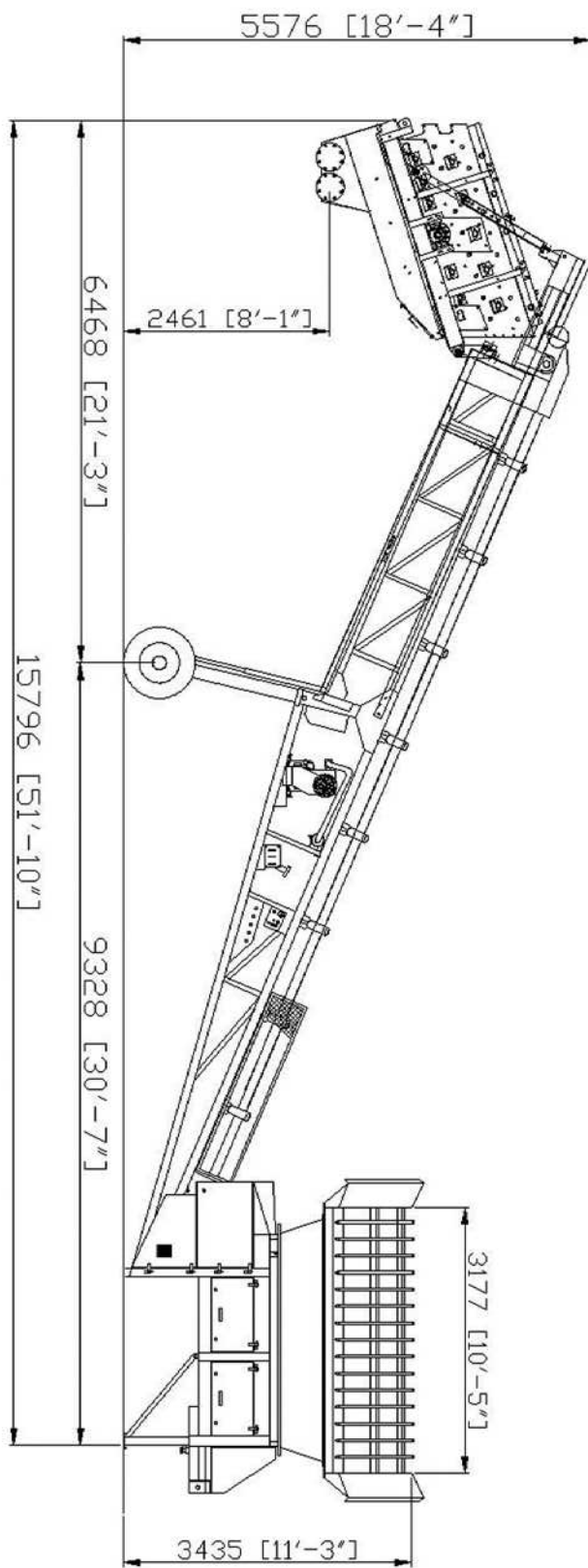


# DIMENSIONS

## 2 DECK WORKING DIMENSIONS



### 3 DECK WORKING DIMENSIONS



## TEREX WASHING SYSTEMS CONTACT DETAILS

### Dungannon Site

200 Coalisland Road  
Dungannon  
Co. Tyrone  
Northern Ireland  
BT71 4DR

Tel: +44(0) 28 8771 8500

Email: [TWS.sales@terex.com](mailto:TWS.sales@terex.com)

[www.terex.com/washing](http://www.terex.com/washing)

You  Tube

Check out Terex Washing Systems videos  
on YouTube: [www.youtube.com/terexwashingsystems](http://www.youtube.com/terexwashingsystems)



[www.facebook.com/TerexCorporation](http://www.facebook.com/TerexCorporation)



Effective Date: July 2012 Product specifications and prices are subject to change without notice or obligation. The photographs and/or drawings in this document are for illustrative purposes only. Refer to the appropriate Operator's Manual for instructions on the proper use of this equipment. Failure to follow the appropriate Operator's Manual when using our equipment or to otherwise act irresponsibly may result in serious injury or death. The only warranty applicable to our equipment is the standard written warranty applicable to the particular product and sale and Terex makes no other warranty, express or implied. Products and services listed may be trademarks, service marks, or trade names of Terex Corporation and/or its subsidiaries in the USA and other countries. All rights are reserved. Terex is a registered trademark of Terex Corporation in the USA and many other countries. © 2010 Terex Corporation.



**WORKS FOR YOU.™**