

# M 390



## FEATURES

- High capacity mobile washing unit that has been engineered for quick installation and ease of relocation making it ideal for applications including sand, gravel, coal and crushed stone.
- Includes a feed hopper complete with reject grid, feed conveyor, washing screen and fully enclosed power unit.
- Twin break and suspended axels
- Hydraulic jacking legs, king pin towing facility and site drawbar

## FEATURES AND BENEFITS

- Deutz air-cooled engine (71hp/53kW)
- 1 x T 150 / T 200 and 2 x T 5032 stockpiler drive facility (NOT Standard on Elect/Hyd Machines)
- 1050mm wide variable speed belt feeder (no deflector doors fitted)
- 8.0m hopper (10.5cu. yards) -14'
- 100mm remote control hydraulic tipping reject grid 4.25m (14') complete with grouser bars
- 3.7m x 1.5m (12' x 5') double deck washing screen (12' x 5' on both decks)
- Washbox complete with 5 adjustable water jets at main conveyor discharge
- Total 17 washing spray bars fitted to both decks
- Screen box reject chutes lined with replaceable steel liners
- Sand water collection hopper (single product) complete with 6m standard open troughing
- 1m (3'3") wide main belt
- Polyurethane teardrop profile belt scraper fitted at drive drum
- Skirting on main conveyor & steel water supply pipe up one side
- Twin braked and suspended axles
- Hydraulic jacking legs, King pin towing facility & site drawbar
- Guards designed to comply with Machinery Directive
- Rated @ 2 bar pressure at spray nozzles
- 2 deck machine can be transported Ro-Ro. 3 deck machine requires the screenbox to be transported separately

## SPECIFICATIONS

<b>SCREENSIZE</b>	12'x5' (3.7m x 1.5m) Top & Bottom Deck Screenbox
<b>NET ENGINE POWER</b>	53kW @ 2300rpm (71hp)
<b>OPERATING WEIGHT</b>	18000kgs* (39700lbs*) *With tipping grid
<b>TRANSPORT WIDTH</b>	2.5m (8'2")
<b>TRANSPORT LENGTH</b>	12.9m (42'4")
<b>TRANSPORT HEIGHT</b>	4.35m (14'3")
<b>WORKING WIDTH</b>	2.50m (8'2")
<b>WORKING LENGTH</b>	20.37m (66'10")
<b>WORKING HEIGHT</b>	6.25m (20'6")

## APPLICATIONS

- Sand and gravel
- Coal
- Crushed materials
- Slag
- Recycled materials
- All forms of concrete, mortar and asphalt sand
- Iron ore
- Lake and beach sand
- Silica glass



## OPTIONS

- Electric/hydraulic drive - (37kW) (No coupling facility) (not including electric control panel)
- Electric/hydraulic drive - (37kW + 18.5kW) complete with 1 x T 150 / T 200, 2 x TC 5032 stockpiler drive facility (not including electric control panel)
- Deutz Water Cooled Engine (100hp/75kW) complete with x T 150 / T 200 and 4 x stockpiler drive facility
- No grid but hopper deadplate fitted
- 4" double deck vibrating grid complete with abrasion resistant plate on wear surface of T bars top deck and mesh in bottom deck and Deutz water cooled engine (100hp/75kW)
- 20mm thick rubber lining of standard stone chute (price per deck)
- 6mm thick rubber lined sand box (single product)
- Side tensioned rubber mats top deck of screen
- End tensioned rubber mats bottom deck of screen
- End tensioned rubber mats middle deck of screen (3 deck only)
- Hydraulic tensioning (bottom deck screen mesh)
- 3-deck screen box (3.66m x 1.52m - 12' x 5') complete with spray bars & chutes (may be separate load)
- Catwalk on 1 x side of std conveyor and 2 x side of screen box with 1 set of access steps and 1 access ladder
- Catwalk 2 sides of std conveyor & 2 sides of screenbox with 2 sets of access steps
- 3.2m extension on main conveyor
- Dust covers on main belt
- Light board
- Hydraulic jacking legs at screen box end
- Twin product sand box (unlined/lined)
- Fresh water 6" in line strainer "Y" type
- Top Deck Polymodule Frame complete with Polymodules (Price dependent on aperture)
- Middle Deck Polymodule Frame complete with Polymodules (3-Deck Only) (Price dependent on aperture)
- Bottom Deck Polymodule Frame complete with Polymodules (Price dependent on aperture)



## SCREEN BOX

Adjustable screen angle

---

Eighteen spray bars in total

---

Top deck spray bars – 4 bars complete with 6 nozzles, 4 bars complete with 5 nozzles, both fitted with 100/80 spray nozzles – 44 off (total)

---

Bottom deck spray bars – 5 bars complete with 8 nozzles, 3 bars complete with 7 nozzles, both fitted with 100/80 spray nozzles – 75 off (total)

---

2 bearing high performance screenbox 3.7m x 1.5m (12' x 5') top deck (side tensioned mesh) 3 off

---

3.7m x 1.5m (12' x 5') bottom deck (end tensioned)

---

Access catwalks on both sides and top end of screen

---



## FEEDER/HOPPER

8.0m<sup>3</sup> hopper (10.5cu yards) 14'

---

1.5m (3'4") wide belt variable speed

---

## MAIN CONVEYOR

1m (3'3") wide belt.

---

Washbox with 5 adjustable water jets

---

Hydraulically adjustable conveyor angle

---

## STANDARD POWER UNIT

Deutz air cooled engine

---

71hp/53kW

---

Vandal proof guards

---

## TIPPING GRID

Remote tipping

---

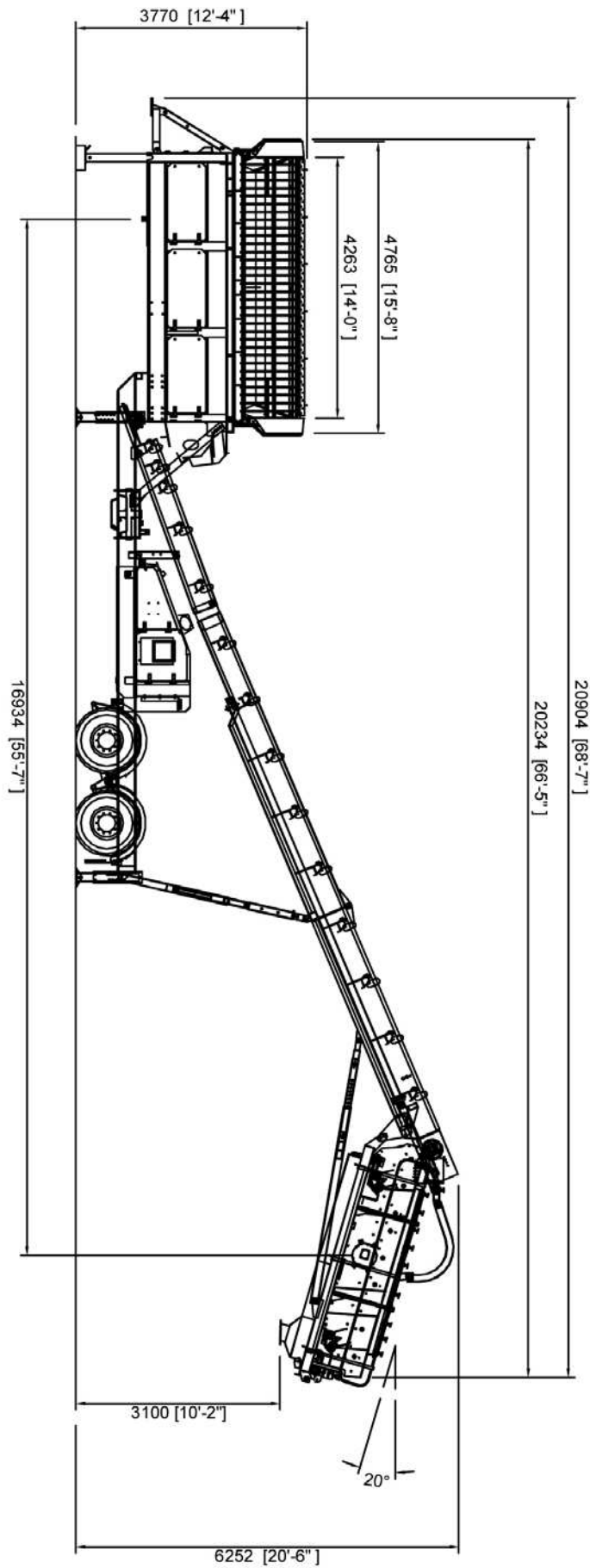
100mm (4") aperture

---

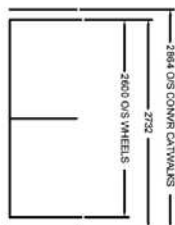
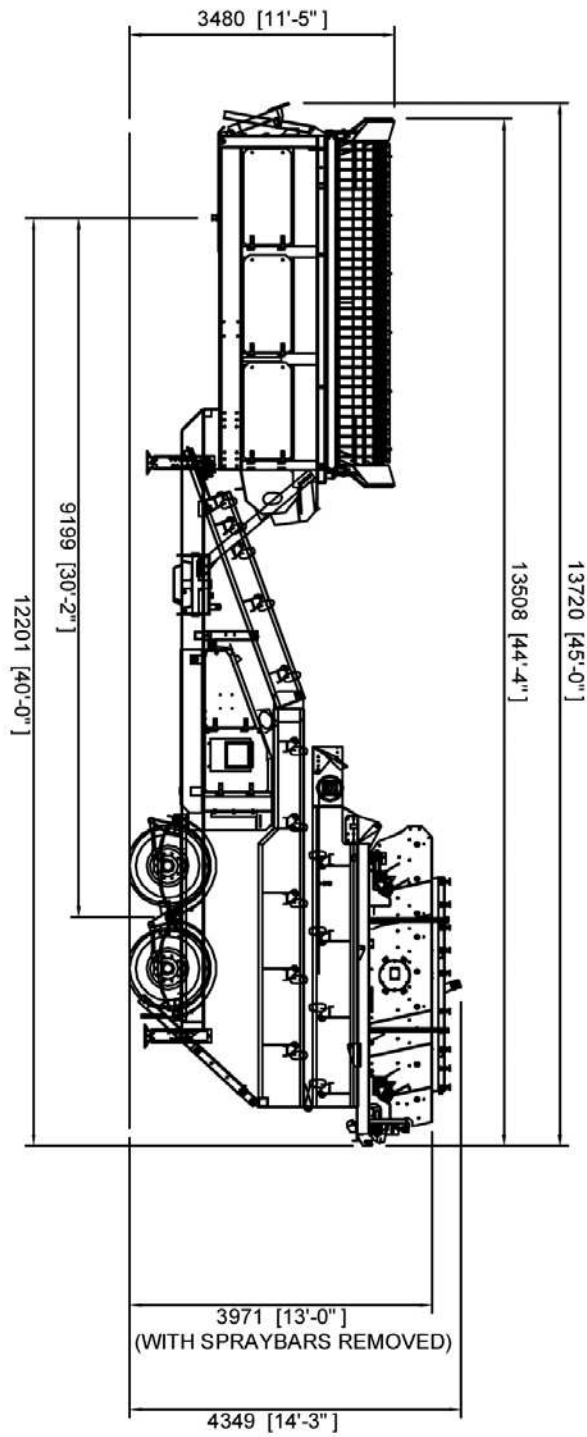


# DIMENSIONS

## M 390 WORKING DIMENSIONS



# M 390 TRANSPORT DIMENSIONS



MACHINE WIDTH

## TEREX WASHING SYSTEMS CONTACT DETAILS

### Dungannon Site

200 Coalisland Road

Dungannon

Co. Tyrone

Northern Ireland

BT71 4DR

Tel: +44(0) 28 8771 8500

Email: [TWS.sales@terex.com](mailto:TWS.sales@terex.com)

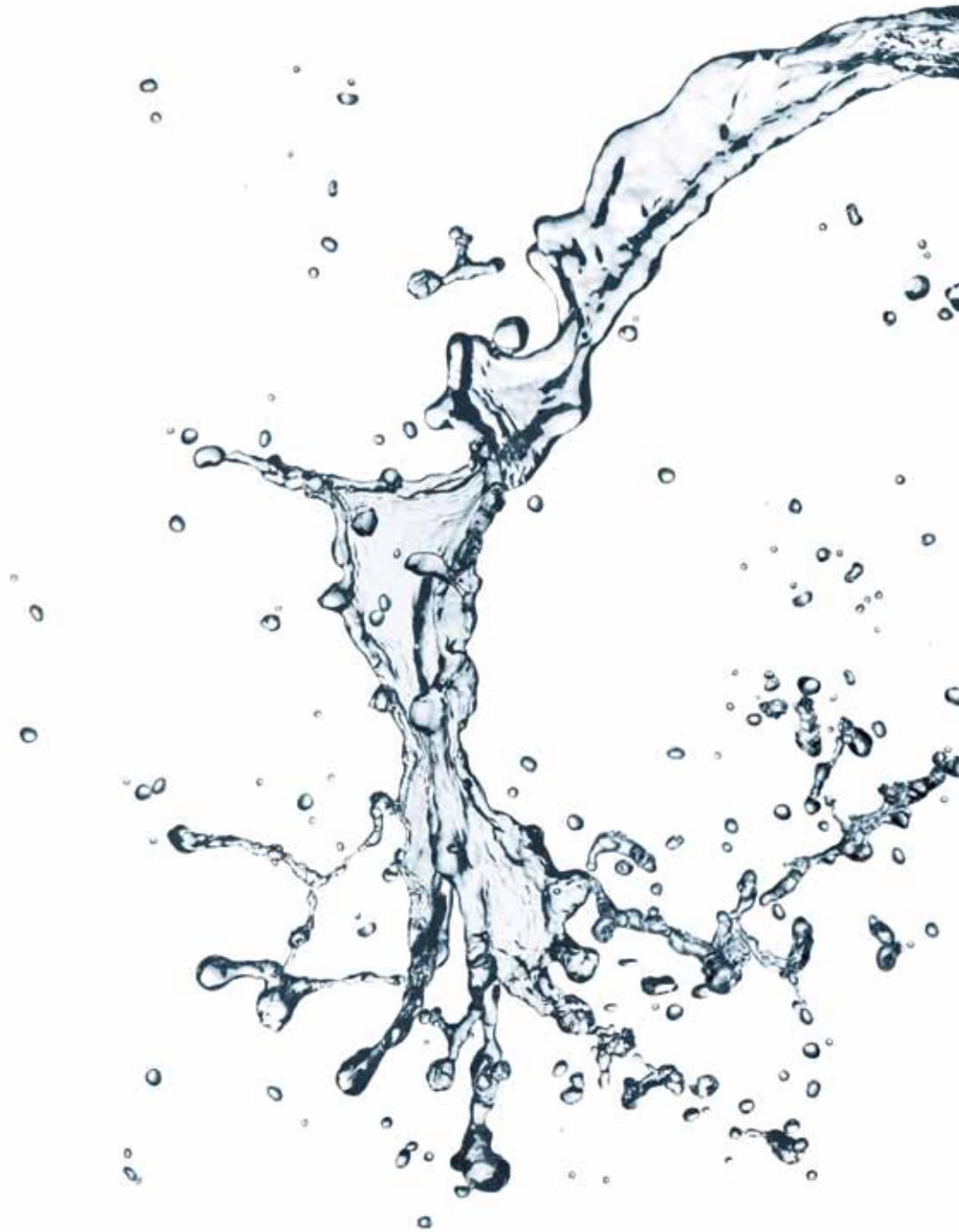
[www.terex.com/washing](http://www.terex.com/washing)

YouTube

Check out Terex Washing Systems  
on YouTube: [www.youtube.com/ter](http://www.youtube.com/terex)



[www.facebook.com/TerexCorporat](http://www.facebook.com/TerexCorporat)



Effective Date: July 2012 Product specifications and prices are subject to change without notice or obligation. The photographs and/or drawings in this document are for illustrative purposes only. Refer to the appropriate Operator's Manual for instructions on the proper use of this equipment. Failure to follow the appropriate Operator's Manual when using our equipment or to otherwise act irresponsibly may result in serious injury or death. The only warranty applicable to our equipment is the standard written warranty applicable to the particular product and sale and Terex makes no other warranty, express or implied. Products and services listed may be trademarks, service marks, or trade names of Terex Corporation and/or its subsidiaries in the USA and other countries. All rights are reserved. Terex is a registered trademark of Terex Corporation in the USA and many other countries. © 2010 Terex Corporation.



**WORKS FOR YOU.™**